



A further generalization of the Catalan numbers and its explicit formula and integral representation

Wen-Hui Li^a, Omran Kouba^b, Issam Kaddoura^c, Feng Qi^{d,e,*}

^aSchool of Economics, Henan Kaifeng College of Science Technology and Communication, Kaifeng 475001, Henan, China

^bDepartment of Mathematics, Higher Institute for Applied Sciences and Technology, P.O. Box 31983, Damascus, Syria

^cDepartment of Mathematics, School of Arts and Sciences, International University of Beirut, Lebanese International University, Beirut, Lebanon

^dInstitute of Mathematics, Henan Polytechnic University, Jiaozuo 454010, Henan, China

^eIndependent Researcher, Dallas, TX 75252-8024, USA

Abstract. In the paper, motivated by the generating function of the Catalan numbers in combinatorial number theory and with the aid of Cauchy's integral formula in complex analysis, the authors generalize the Catalan numbers and its generating function, establish an explicit formula and an integral representation for the generalization of the Catalan numbers and corresponding generating function, and derive several integral formulas and combinatorial identities.

1. Backgrounds and motivations

The Catalan numbers

$$C_n = \frac{1}{n+1} \binom{2n}{n} = \frac{4^n \Gamma(n+1/2)}{\sqrt{\pi} \Gamma(n+2)} \quad (1.1)$$

form a sequence of integers (see [13, 14, 63]), can be interpreted combinatorially (see [7, 21, 60]), date back to the year 1730 (see [23, 24, 28]), and can be generated (see [31, 60, 64]) by

$$G(x) = \frac{2}{1 + \sqrt{1-4x}} = \sum_{n=0}^{\infty} C_n x^n, \quad (1.2)$$

where $\Re(z)$ denotes the real part of $z \in \mathbb{C}$ and

$$\Gamma(z) = \int_0^{\infty} t^{z-1} e^{-t} dt, \quad \Re(z) > 0$$

2020 *Mathematics Subject Classification.* Primary 05A15; Secondary 11B75, 11B83, 26A09, 30E20, 33B15, 41A58.

Keywords. Catalan number; Catalan–Qi number; Generating function; Generalization; Explicit formula; Integral representation; Cauchy's integral formula; Integral formula; Combinatorial identity; Gamma function.

Received: 30 September 2022; Accepted: 27 February 2023

Communicated by Paola Bonacini

* Corresponding author: Feng Qi

Email addresses: wen.hui.li102@gmail.com (Wen-Hui Li), omran_kouba@hiast.edu.sy (Omran Kouba), issam.kaddoura@liu.edu.lb (Issam Kaddoura), honest.john.china@gmail.com (Feng Qi)

or

$$\Gamma(z) = \lim_{n \rightarrow \infty} \frac{n!n^z}{\prod_{k=0}^n (z+k)}, \quad z \in \mathbb{C} \setminus \{0, -1, -2, \dots\}$$

is the classical Euler gamma function (see [1, Chapter 6], [32, Chapter 5], [65, Chapter 3], and [42]).

The Catalan numbers C_n have been combinatorially generalized as the Fuss numbers (see [11] and [21, pp. 377–378]), the Fuss–Catalan numbers (see [3, 6, 10, 62] and [21, Exercise A14, p. 108]), and others (see [2, 16, 20] and [21, pp. 375–376]). Motivated by the second expression in (1.1), several mathematicians analytically generalized the Catalan numbers C_n , the Fuss numbers, and the Fuss–Catalan numbers and investigated plenty of their properties in the papers [27, 30, 35–38, 40, 41, 43–45, 47–49, 52–56, 58, 59, 61, 67] and closely related references. Other than the Fuss numbers, the Fuss–Catalan numbers, and the Catalan–Qi numbers, there are other generalizations and associated number families regarding the Catalan numbers such as the Motzkin numbers [46, 68], the super-Catalan numbers [47] (see also https://en.wikipedia.org/wiki/Catalan_number), Narayana numbers [8, 19], and Catalan type numbers $V_n(\lambda)$ in [22], and so on, in the literature.

Motivated by the generating function $G(x)$ in (1.2), several mathematicians generalized the Catalan numbers C_n to $C_n(a, b)$, the Catalan–Qi numbers of the second kind, in [5] by considering the generating function

$$G_{a,b}(x) = \frac{1}{a + \sqrt{b-x}} = \sum_{n=0}^{\infty} C_n(a, b)x^n \tag{1.3}$$

for real numbers $a \geq 0$ and $b > 0$. It is clear that $G_{1/2,1/4}(x) = G(x)$ and $C_n(\frac{1}{2}, \frac{1}{4}) = C_n$. The main results in [5] are as follows.

1. The Catalan–Qi numbers of the second kind $C_n(a, b)$ for $n \geq 0, a \geq 0$, and $b > 0$ can be explicitly computed by

$$C_n(a, b) = \frac{1}{(2n)!!b^{n+1/2}} \sum_{k=0}^n \binom{2n-k-1}{2(n-k)} \frac{k![2(n-k)-1]!!}{(1+a/\sqrt{b})^{k+1}}, \tag{1.4}$$

where the double factorial of negative odd integers $-(2k+1)$ is defined by

$$(-2k-1)!! = \frac{(-1)^k}{(2k-1)!!} = (-1)^k \frac{2^k k!}{(2k)!}, \quad k \in \mathbb{N}_0.$$

2. The principal branch of the generating function $G_{a,b}(z)$ for $a \geq 0$ and $b > 0$ can be represented by

$$G_{a,b}(z) = \frac{1}{\pi} \int_0^{\infty} \frac{\sqrt{t}}{a^2+t} \frac{1}{b+t-z} dt, \quad z \in \mathbb{C} \setminus [b, \infty). \tag{1.5}$$

Consequently, the Catalan–Qi numbers of the second kind $C_n(a, b)$ for $a \geq 0$ and $b > 0$ can be represented by

$$C_n(a, b) = \frac{1}{\pi} \int_0^{\infty} \frac{\sqrt{t}}{a^2+t} \frac{1}{(b+t)^{n+1}} dt, \quad n \geq 0. \tag{1.6}$$

In this paper, motivated and inspired by the generating function in (1.3), we consider the functional sequence $\mathfrak{C}_n(a, b; p)$ which is defined by

$$G_{a,b;p}(x) = \frac{1}{a + (b-x)^p} = \sum_{n=0}^{\infty} \mathfrak{C}_n(a, b; p)x^n \tag{1.7}$$

for $a \geq 0, b > 0$, and $0 < p < 1$. It is clear that

$$G_{a,b;1/2}(x) = G_{a,b}(x), \quad G_{1/2,1/4;1/2}(x) = G(x), \quad \mathfrak{C}_n\left(a, b; \frac{1}{2}\right) = C_n(a, b), \quad \mathfrak{C}_n\left(\frac{1}{2}, \frac{1}{4}; \frac{1}{2}\right) = C_n,$$

but one can neither express $G_{a,b;p}(x)$ in terms of $G_{a,b}(x)$ or $G(x)$ nor express $\mathfrak{C}_n(a, b; p)$ in terms of $C_n(a, b)$ or C_n . In this paper, we will establish an explicit formula for $\mathfrak{C}_n(a, b; p)$, present integral representations for $G_{a,b;p}(x)$ and $\mathfrak{C}_n(a, b; p)$, and derive several integral formulas and combinatorial identities.

2. An explicit formula for $\mathfrak{C}_n(a, b; p)$

In this section, we establish an explicit formula for $\mathfrak{C}_n(a, b; p)$, from which we can derive the explicit formula (1.4).

Theorem 2.1. *Let $a \geq 0, b > 0$, and $0 < p < 1$ be real numbers. Then the functional sequence $\mathfrak{C}_n(a, b; p)$ for $n \geq 0$ can be explicitly computed by*

$$\mathfrak{C}_n(a, b; p) = \frac{(-1)^n}{n!b^n(a + b^p)} \sum_{k=0}^n \frac{1}{(1 + a/b^p)^k} \sum_{\ell=0}^k (-1)^\ell \binom{k}{\ell} \langle p\ell \rangle_n, \tag{2.1}$$

where the notation

$$\langle \alpha \rangle_n = \begin{cases} \alpha(\alpha - 1) \cdots (\alpha - n + 1), & n \geq 1 \\ 1, & n = 0 \end{cases} \tag{2.2}$$

for $\alpha \in \mathbb{C}$ is called the falling factorial.

Proof. In [7, p. 139, Theorem C], Faà di Bruno’s formula is described by

$$\frac{d^n}{dx^n} f(h(x)) = \sum_{k=0}^n f^{(k)}(h(x)) B_{n,k}(h'(x), h''(x), \dots, h^{(n-k+1)}(x)), \tag{2.3}$$

where the Bell polynomials of the second kind $B_{n,k}(x_1, x_2, \dots, x_{n-k+1})$ for $n \geq k \geq 0$ satisfy

$$B_{n,k}(\alpha\beta x_1, \alpha\beta^2 x_2, \dots, \alpha\beta^{n-k+1} x_{n-k+1}) = \alpha^k \beta^n B_{n,k}(x_1, x_2, \dots, x_{n-k+1}) \tag{2.4}$$

in [7, p. 135] and the formula

$$B_{n,k}(\langle \alpha \rangle_1, \langle \alpha \rangle_2, \dots, \langle \alpha \rangle_{n-k+1}) = \frac{(-1)^k}{k!} \sum_{\ell=0}^k (-1)^\ell \binom{k}{\ell} \langle \alpha\ell \rangle_n \tag{2.5}$$

in [50, Theorem 2.1] and [51, Section 1.3] for $\alpha, \beta \in \mathbb{C}$.

Let $h = h_p(x) = (b - x)^p$ for $0 < p < 1$. Then $h_p^{(k)}(x) = (-1)^k \langle p \rangle_k (b - x)^{p-k}$ for $k \geq 0$ and, in light of the formula (2.3) with $f(x) = \frac{1}{a+x}$, by the aid of the identities (2.4) and (2.5),

$$\begin{aligned} \frac{d^n G_{a,b;p}(x)}{dx^n} &= \sum_{k=0}^n \frac{d^k}{dh^k} \left(\frac{1}{a+h} \right) B_{n,k}(h'_p(x), h''_p(x), \dots, h_p^{(n-k+1)}(x)) \\ &= \sum_{k=0}^n (-1)^k \frac{k!}{[a + h_p(x)]^{k+1}} B_{n,k}(h'_p(x), h''_p(x), \dots, h_p^{(n-k+1)}(x)) \\ &= \sum_{k=0}^n (-1)^k \frac{k!}{[a + (b - x)^p]^{k+1}} B_{n,k}(-\langle p \rangle_1 (b - x)^{p-1}, \dots, (-1)^{n-k+1} \langle p \rangle_{n-k+1} (b - x)^{p-(n-k+1)}) \end{aligned}$$

$$\begin{aligned}
 &= \sum_{k=0}^n (-1)^k \frac{k!}{[a + (b-x)^p]^{k+1}} (-1)^n (b-x)^{kp-n} B_{n,k}(\langle p \rangle_1, \langle p \rangle_2, \dots, \langle p \rangle_{n-k+1}) \\
 &= \frac{(-1)^n}{(b-x)^n} \sum_{k=0}^n \frac{(b-x)^{kp}}{[a + (b-x)^p]^{k+1}} \sum_{\ell=0}^k (-1)^\ell \binom{k}{\ell} \langle p^\ell \rangle_n.
 \end{aligned}$$

Accordingly, we obtain

$$\lim_{x \rightarrow 0} \frac{d^n G_{a,b;p}(x)}{dx^n} = \frac{(-1)^n}{b^n(a+b^p)} \sum_{k=0}^n \frac{1}{(1+a/b^p)^k} \sum_{\ell=0}^k (-1)^\ell \binom{k}{\ell} \langle p^\ell \rangle_n.$$

The equation (1.7) means that

$$n! \mathfrak{C}_n(a, b; p) = \lim_{x \rightarrow 0} \frac{d^n G_{a,b;p}(x)}{dx^n}.$$

Consequently, we obtain the explicit formula

$$\mathfrak{C}_n(a, b; p) = \frac{1}{n!} \lim_{x \rightarrow 0} \frac{d^n G_{a,b;p}(x)}{dx^n} = \frac{(-1)^n}{n! b^n (a+b^p)} \sum_{k=0}^n \frac{1}{(1+a/b^p)^k} \sum_{\ell=0}^k (-1)^\ell \binom{k}{\ell} \langle p^\ell \rangle_n.$$

The proof of Theorem 2.1 is complete. \square

Remark 2.1. When taking $p = \frac{1}{2}$ in (2.1), we derive

$$\mathfrak{C}_n\left(a, b; \frac{1}{2}\right) = C_n(a, b) = \frac{(-1)^n}{n! b^n (a + \sqrt{b})} \sum_{k=0}^n \frac{1}{(1 + a/\sqrt{b})^k} \sum_{\ell=0}^k (-1)^\ell \binom{k}{\ell} \left\langle \frac{\ell}{2} \right\rangle_n.$$

Further employing the identity

$$\sum_{\ell=0}^k (-1)^\ell \binom{k}{\ell} \left\langle \frac{\ell}{2} \right\rangle_n = (-1)^n \frac{k! [2(n-k) - 1]!! (2n-k-1)}{2^n (2(n-k))} \tag{2.6}$$

in [50, Theorem 3.2] and [51, Section 1.5], which can be derived from comparing (2.5) for $\alpha = \frac{1}{2}$ with the identity

$$B_{n,k}((-1)!!, 1!!, 3!!, \dots, [2(n-k) - 1]!!) = [2(n-k) - 1]!! \binom{2n-k-1}{2(n-k)}$$

in [54, Theorem 1.2] and [51, Section 1.5] or with the identity

$$B_{n,k}\left(\left\langle \frac{1}{2} \right\rangle_1, \left\langle \frac{1}{2} \right\rangle_2, \dots, \left\langle \frac{1}{2} \right\rangle_{n-k+1}\right) = (-1)^{n+k} [2(n-k) - 1]!! \left(\frac{1}{2}\right)^n \binom{2n-k-1}{2(n-k)} \tag{2.7}$$

in [50, p. 169] and [51, Section 1.5], we recover (1.4) straightforwardly.

3. An integral representation of the generating function $G_{a,b;p}(z)$

In this section, we establish an integral representation for the principal branch of the complex generating function $G_{a,b;p}(z)$ by virtue of Cauchy’s integral formula in complex analysis.

Theorem 3.1. Let $a \geq 0, b > 0$, and $0 < p < 1$ be real numbers. Then the principal branch of the complex function

$$G_{a,b;p}(z) = \frac{1}{a + (b - z)^p}, \quad z \in \mathbb{C} \setminus [b, \infty)$$

can be represented by

$$G_{a,b;p}(z) = \frac{\sin(p\pi)}{\pi} \int_0^\infty \frac{t^p}{a^2 + 2a \cos(p\pi)t^p + t^{2p}} \frac{1}{b + t - z} dt, \quad \arg(z - b) \in (0, 2\pi). \tag{3.1}$$

Proof. In complex analysis, on the cut plane $\mathbb{C} \setminus (-\infty, 0]$, the logarithmic function $\ln z = \ln |z| + i \arg z$, where $i = \sqrt{-1}$ is the imaginary unit, and the principal value $\arg z$ of the argument of z satisfies $|\arg z| < \pi$.

For $a \geq 0$ and $0 < p < 1$, let

$$F_{a;p}(z) = \frac{1}{a + e^{p \ln(-z)}}, \quad z \in \mathbb{C} \setminus [0, \infty), \quad \arg z \in (0, 2\pi).$$

By virtue of Cauchy’s integral formula in complex analysis, for any fixed point $z_0 = x_0 + iy_0 \in \mathbb{C} \setminus [0, \infty)$, we have

$$F_{a;p}(z_0) = \frac{1}{2\pi i} \int_{\mathcal{L}(r,R)} \frac{F_{a;p}(\xi)}{\xi - z_0} d\xi,$$

where $\mathcal{L}(r, R)$ is a positively oriented contour in $\mathbb{C} \setminus [0, \infty)$, as showed in Figure 1, such that

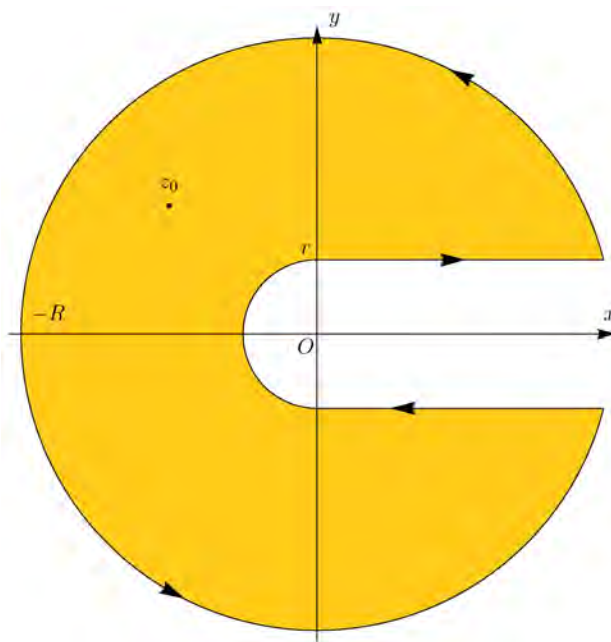


Figure 1: The positively oriented contour $\mathcal{L}(r, R)$ in $\mathbb{C} \setminus [0, \infty)$

1. $0 < r < |z_0| < R$;
2. $L(r, R)$ consists of the half circle $z = re^{i\theta}$ for $\theta \in [\frac{\pi}{2}, \frac{3\pi}{2}]$;
3. $L(r, R)$ consists of the line segments $z = x \pm ir$ for $x \in (0, R(r))$, where $R(r) = \sqrt{R^2 - r^2}$;
4. $L(r, R)$ consists of the circular arc $z = Re^{i\theta}$ for

$$\theta \in \left(\arctan \frac{r}{R(r)}, 2\pi - \arctan \frac{r}{R(r)} \right) = \left(\arcsin \frac{r}{R}, 2\pi - \arcsin \frac{r}{R} \right);$$

5. the line segments $z = x \pm ir$ for $x \in (0, R(r)]$ cut the circle $|z| = R$ at the points $R(r) \pm ir$ and $R(r) \rightarrow R$ as $r \rightarrow 0^+$.

The integral on the circular arc $z = Re^{i\theta}$ with positive orientation of the contour $\mathcal{L}(r, R)$ equals

$$\frac{1}{2\pi i} \int_{\arcsin(r/R)}^{2\pi - \arcsin(r/R)} \frac{Re^{i\theta}}{Re^{i\theta} - z_0} \frac{1}{a + e^{p \ln(-Re^{i\theta})}} d\theta = \frac{1}{2\pi} \int_{\arcsin(r/R)}^{2\pi - \arcsin(r/R)} \frac{Re^{i\theta}}{Re^{i\theta} - z_0} \frac{1}{a + R^p e^{ip \arg(-Re^{i\theta})}} d\theta$$

which tends to 0 uniformly with respect to θ as $R \rightarrow \infty$, where we used the limits

$$\lim_{R \rightarrow \infty} \frac{Re^{i\theta}}{Re^{i\theta} - z_0} = \lim_{R \rightarrow \infty} \frac{e^{i\theta}}{e^{i\theta} - z_0/R} = 1 \quad \text{and} \quad \lim_{R \rightarrow \infty} |R^p e^{ip \arg(-Re^{i\theta})}| = \lim_{R \rightarrow \infty} R^p = \infty.$$

The integral on the half circle $z = re^{i\theta}$ for $\theta \in [\frac{\pi}{2}, \frac{3\pi}{2}]$ with positive orientation of the contour curve $\mathcal{L}(r, R)$ is

$$\begin{aligned} \frac{1}{2\pi i} \int_{3\pi/2}^{\pi/2} \frac{rie^{i\theta}}{re^{i\theta} - z_0} \frac{1}{a + e^{p \ln(-re^{i\theta})}} d\theta &= -\frac{1}{2\pi} \int_{\pi/2}^{3\pi/2} \frac{re^{i\theta}}{re^{i\theta} - z_0} \frac{1}{a + r^p e^{ip \arg(-re^{i\theta})}} d\theta \\ &= -\frac{1}{2\pi} \int_{\pi/2}^{3\pi/2} \frac{e^{i\theta}}{e^{i\theta} - z_0/r} \frac{1}{a + r^p e^{ip \arg(-re^{i\theta})}} d\theta \end{aligned}$$

which tends to 0 uniformly with respect to θ as $r \rightarrow 0^+$, where we used the limits

$$\lim_{r \rightarrow 0^+} \frac{e^{i\theta}}{e^{i\theta} - z_0/r} = 0 \quad \text{and} \quad \lim_{r \rightarrow 0^+} |r^p e^{ip \arg(-re^{i\theta})}| = \lim_{r \rightarrow 0^+} r^p = 0.$$

On the half line $z = x + ir$ for $x \in (0, R(r)]$ and $r > 0$, direct computation gives

$$F_{a;p}(x + ir) = \frac{1}{a + e^{p \ln(-x-ir)}} = \frac{1}{a + e^{p \ln \sqrt{x^2+r^2} + ip[\arctan(r/x) - \pi]}.$$

Accordingly, we obtain

$$\begin{aligned} \lim_{r \rightarrow 0^+} F_{a;p}(x + ir) &= \frac{1}{a + x^p \cos(p\pi) - ix^p \sin(p\pi)} \\ &= \frac{a + x^p \cos(p\pi) + ix^p \sin(p\pi)}{[a + x^p \cos(p\pi)]^2 + [x^p \sin(p\pi)]^2} = \frac{a + x^p \cos(p\pi) + ix^p \sin(p\pi)}{a^2 + 2ax^p \cos(p\pi) + x^{2p}}. \end{aligned}$$

Since $\overline{e^z} = e^{\bar{z}}$ and $\overline{\ln z} = \ln \bar{z}$, it follows that

$$\overline{F_{a;p}(z)} = \frac{\overline{1}}{\overline{a + e^{p \ln(-z)}}} = \frac{1}{a + e^{p \ln(-\bar{z})}} = \frac{1}{a + e^{p \ln(-z)}} = \frac{1}{a + e^{p \ln(-\bar{z})}} = \frac{1}{a + e^{p \ln(-\bar{z})}} = F_{a;p}(\bar{z}).$$

Accordingly, the integral on the line segments $z = x \pm ir$ for $x > 0$ with positive orientation of the contour $\mathcal{L}(r, R)$ is equal to

$$\begin{aligned} &\frac{1}{2\pi i} \left[\int_0^{R(r)} \frac{F_{a;p}(x + ir)}{x + ir - z_0} dx + \int_{R(r)}^0 \frac{F_{a;p}(x - ir)}{x - ir - z_0} dx \right] \\ &= \frac{1}{2\pi i} \int_0^{R(r)} \frac{(x - ir - z_0)F_{a;p}(x + ir) - (x + ir - z_0)F_{a;p}(x - ir)}{(x + ir - z_0)(x - ir - z_0)} dx \\ &= \frac{1}{2\pi i} \int_0^{R(r)} \frac{(x - z_0)[F_{a;p}(x + ir) - F_{a;p}(x - ir)] - ir[F_{a;p}(x + ir) + F_{a;p}(x - ir)]}{(x + ir - z_0)(x - ir - z_0)} dx \end{aligned}$$

$$\begin{aligned}
 &= \frac{1}{2\pi i} \int_0^{R(r)} \frac{(x - z_0) [F_{a,p}(x + ir) - F(\overline{x + ir})] - ir [F_{a,p}(x + ir) + F(\overline{x + ir})]}{(x + ir - z_0)(x - ir - z_0)} dx \\
 &= \frac{1}{2\pi i} \int_0^{R(r)} \frac{(x - z_0) [F_{a,p}(x + ir) - \overline{F_{a,p}(x + ir)}] - ir [F_{a,p}(x + ir) + \overline{F_{a,p}(x + ir)}]}{(x + ir - z_0)(x - ir - z_0)} dx \\
 &= \frac{1}{2\pi i} \int_0^{R(r)} \frac{(x - z_0) [2i\Im(F_{a,p}(x + ir))] - ir [2\Re(F_{a,p}(x + ir))]}{(x + ir - z_0)(x - ir - z_0)} dx,
 \end{aligned}$$

where $\Im(z)$ denotes the imaginary part of $z \in \mathbb{C}$. Consequently, it follows that

$$\begin{aligned}
 \lim_{\substack{r \rightarrow 0^+ \\ R \rightarrow \infty}} \frac{1}{2\pi i} \left[\int_0^{R(r)} \frac{F_{a,p}(x + ir)}{x + ir - z_0} dx + \int_{R(r)}^0 \frac{F_{a,p}(x - ir)}{x - ir - z_0} dx \right] &= \frac{1}{2\pi i} \int_0^\infty \frac{2i}{x - z_0} \frac{x^p \sin(p\pi)}{a^2 + 2ax^p \cos(p\pi) + x^{2p}} dx \\
 &= \frac{1}{\pi} \int_0^\infty \frac{1}{x - z_0} \frac{x^p \sin(p\pi)}{a^2 + 2ax^p \cos(p\pi) + x^{2p}} dx
 \end{aligned}$$

and

$$\frac{1}{a + e^{p \ln(-z_0)}} = \frac{1}{\pi} \int_0^\infty \frac{1}{x - z_0} \frac{x^p \sin(p\pi)}{a^2 + 2ax^p \cos(p\pi) + x^{2p}} dx \tag{3.2}$$

for $z_0 \in \mathbb{C} \setminus [0, \infty)$ and $\arg z_0 \in (0, 2\pi)$. Due to the point z_0 in (3.2) being arbitrary, the integral formula (3.2) can be rewritten as

$$F_{a,p}(z) = \frac{1}{a + e^{p \ln(-z)}} = \frac{\sin(p\pi)}{\pi} \int_0^\infty \frac{1}{t - z} \frac{t^p}{a^2 + 2a \cos(p\pi)t^p + t^{2p}} dt, \tag{3.3}$$

where $z \in \mathbb{C} \setminus [0, \infty)$ and $\arg z \in (0, 2\pi)$.

For $a \geq 0, b > 0, 0 < p < 1$, and $\arg(z - b) \in (0, 2\pi)$, it is easy to see that $G_{a,b,p}(z) = F_{a,p}(z - b)$. Therefore, from (3.3), the integral representation (3.1) follows. The proof of Theorem 3.1 is complete. \square

Remark 3.1. When taking $z = x \in (-\infty, b)$, the integral representation (3.1) becomes

$$\frac{1}{a + (b - x)^p} = \frac{\sin(p\pi)}{\pi} \int_0^\infty \frac{t^p}{a^2 + 2a \cos(p\pi)t^p + t^{2p}} \frac{1}{b + t - x} dt. \tag{3.4}$$

When taking $x \rightarrow b^-$, the integral in (3.4) converges. Consequently, the integral representation (3.4) is valid on $(-\infty, b]$.

Remark 3.2. Taking $p = \frac{1}{2}$ in the integral representation (3.1) recovers the integral representation (1.5).

Remark 3.3. When taking $p = \frac{1}{3}$ and $p = \frac{1}{4}$ respectively, the integral representation (3.1) becomes

$$\frac{1}{a + \sqrt[3]{b - z}} = \frac{\sqrt{3}}{2\pi} \int_0^\infty \frac{\sqrt[3]{t}}{a^2 + a\sqrt[3]{t} + \sqrt[3]{t^2}} \frac{1}{b + t - z} dt$$

and

$$\frac{1}{a + \sqrt[4]{b - z}} = \frac{\sqrt{2}}{2\pi} \int_0^\infty \frac{\sqrt[4]{t}}{a^2 + \sqrt{2}a\sqrt[4]{t} + \sqrt{t}} \frac{1}{b + t - z} dt$$

for $\arg(z - b) \in (0, 2\pi)$ respectively.

4. An integral representation for $\mathfrak{C}_n(a, b; p)$

From the integral representation (3.1) or (3.4), we can derive an integral representation for the functional sequence $\mathfrak{C}_n(a, b; p)$ as follows.

Theorem 4.1. *Let $a \geq 0, b > 0$, and $0 < p < 1$ be real numbers. Then the functional sequence $\mathfrak{C}_n(a, b; p)$ for $n \geq 0$ can be represented by*

$$\mathfrak{C}_n(a, b; p) = \frac{\sin(p\pi)}{\pi} \int_0^\infty \frac{t^p}{a^2 + 2a \cos(p\pi)t^p + t^{2p}} \frac{1}{(b+t)^{n+1}} dt. \tag{4.1}$$

Proof. Differentiating $n \geq 0$ times with respect to z on both sides of (3.1) and taking the limit $z \rightarrow 0$ yield

$$\begin{aligned} \lim_{z \rightarrow 0} \frac{d^n G_{a,b;p}(z)}{dz} &= \frac{\sin(p\pi)}{\pi} \lim_{z \rightarrow 0} \int_0^\infty \frac{t^p}{a^2 + 2a \cos(p\pi)t^p + t^{2p}} \frac{d^n}{dz^n} \left(\frac{1}{b+t-z} \right) dt \\ &= \frac{\sin(p\pi)}{\pi} \int_0^\infty \frac{t^p}{a^2 + 2a \cos(p\pi)t^p + t^{2p}} \lim_{z \rightarrow 0} \frac{n!}{(b+t-z)^{n+1}} dt \\ &= \frac{n! \sin(p\pi)}{\pi} \int_0^\infty \frac{t^p}{a^2 + 2a \cos(p\pi)t^p + t^{2p}} \frac{1}{(b+t)^{n+1}} dt. \end{aligned}$$

As a result, by virtue of (1.7), we have the assertion of Theorem 4.1, which completes its proof. \square

Remark 4.1. *If taking $p = \frac{1}{2}$ in (4.1), one can recover (1.6) immediately.*

Remark 4.2. *When taking $p = \frac{1}{3}$ and $p = \frac{1}{4}$ respectively, the integral representation (4.1) becomes*

$$\mathfrak{C}_n\left(a, b; \frac{1}{3}\right) = \frac{\sqrt{3}}{2\pi} \int_0^\infty \frac{\sqrt[3]{t}}{a^2 + a\sqrt[3]{t} + \sqrt[3]{t^2}} \frac{1}{(b+t)^{n+1}} dt$$

and

$$\mathfrak{C}_n\left(a, b; \frac{1}{4}\right) = \frac{\sqrt{2}}{2\pi} \int_0^\infty \frac{\sqrt[4]{t}}{a^2 + \sqrt{2}a\sqrt[4]{t} + \sqrt{t}} \frac{1}{(b+t)^{n+1}} dt$$

respectively.

5. Two integral formulas

Combining the explicit formula (2.1) in Theorem 2.1 with the integral representation (4.1) in Theorem 4.1 and combining (1.4) with (1.6), we can conclude two integral formulas.

Theorem 5.1. *Let $a \geq 0$ and $b > 0$ be real numbers and let $n \geq 0$ be integers. If $0 < p < 1$, then*

$$\int_0^\infty \frac{t^p}{a^2 + 2a \cos(p\pi)t^p + t^{2p}} \frac{1}{(b+t)^{n+1}} dt = \frac{\pi}{(a+b^p) \sin(p\pi)} \frac{(-1)^n}{n! b^n} \sum_{k=0}^n \frac{1}{(1+a/b^p)^k} \sum_{\ell=0}^k (-1)^\ell \binom{k}{\ell} \langle p\ell \rangle_n. \tag{5.1}$$

In particular, if $p = \frac{1}{2}$, then

$$\int_0^\infty \frac{\sqrt{t}}{a^2 + t} \frac{1}{(b+t)^{n+1}} dt = \frac{\pi}{(2n)!! b^{n+1/2}} \sum_{k=0}^n \binom{2n-k-1}{2(n-k)} \frac{k! [2(n-k)-1]!!}{(1 + \sqrt{a/b})^{k+1}}. \tag{5.2}$$

Proof. [Alternative proof of the integral formula (5.1) for $a, b > 0$ and $0 < p < 1$] The formula of Faà di Bruno and Schlömilch [18, p. 33] states that

$$\frac{d^n(f \circ g)}{dx^n} = \sum_{k=1}^n (f^{(k)} \circ g) Y_{n,k}(g) \tag{5.3}$$

where the operator $Y_{n,k}$ has the explicit form

$$Y_{n,k}(g) = \frac{1}{k!} \sum_{j=0}^k (-1)^{k-j} \binom{k}{j} g^{k-j} (g^j)^{(n)} \tag{5.4}$$

An inductive proof for this formula can also be found in [29].

Consider the case $g(x) = x^p$ with $0 < p < 1$. According to (5.4), we have

$$Y_{n,k}(x^p) = \frac{1}{k!} \sum_{\ell=0}^k (-1)^{k-\ell} \binom{k}{\ell} x^{(k-\ell)p} (x^{p\ell})^{(n)} = \frac{1}{k!} \sum_{\ell=0}^k (-1)^{k-\ell} \binom{k}{\ell} x^{(k-\ell)p} \langle p\ell \rangle_n x^{p\ell-n} = \frac{x^{kp-n}}{k!} \sum_{\ell=0}^k (-1)^{k-\ell} \binom{k}{\ell} \langle p\ell \rangle_n.$$

When setting $f(x) = \frac{1}{1+x}$, according to (5.3), we have

$$\frac{d^n}{dx^n} \left(\frac{1}{1+x^p} \right) = \sum_{k=1}^n \frac{(-1)^k k!}{(1+x^p)^{k+1}} \frac{x^{kp-n}}{k!} \sum_{\ell=0}^k (-1)^{k-\ell} \binom{k}{\ell} \langle p\ell \rangle_n = \frac{1}{x^{n+p}} \sum_{k=1}^n \left(\frac{x^p}{1+x^p} \right)^{k+1} \sum_{\ell=0}^k (-1)^\ell \binom{k}{\ell} \langle p\ell \rangle_n. \tag{5.5}$$

Let $0 < p < 1$ and $\lambda > 0$. Consider the meromorphic function

$$F(z) = \frac{1}{(1 - \lambda e^{-z})(1 + e^{pz})}.$$

Consider also the positively oriented rectangle $\mathcal{R} = \overline{ABCD}$ with vertices $A(-R - \pi i)$, $B(R - \pi i)$, $C(R + \pi i)$, and $D(-R + \pi i)$ for $R > |\ln \lambda|$, as indicated in Figure 2. In the interior of the region enclosed by the rectangle

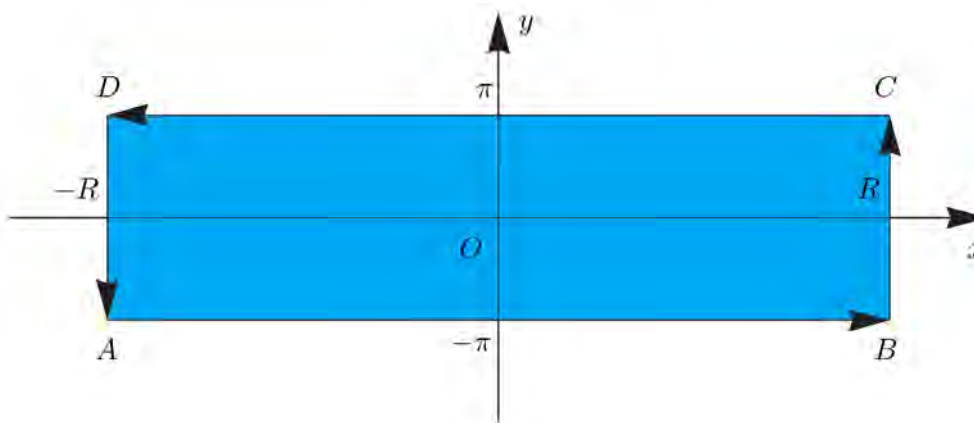


Figure 2: The positively oriented rectangle $\mathcal{R} = \overline{ABCD}$

\mathcal{R} , the function F has a unique pole $p = \ln \lambda$ of the residue $\text{Res}(F, p) = \frac{1}{1+\lambda^p}$. Therefore, by Cauchy’s residue theorem in complex analysis, it follows that

$$\int_{\mathcal{R}} F(z) dz = \frac{2\pi i}{1 + \lambda^p}. \tag{5.6}$$

On the other hand, from

$$\left| \int_{\overline{BC}} F(z) dz \right| = \left| i \int_{-\pi}^{\pi} F(R + it) dt \right| \leq \frac{\pi}{(1 - \lambda e^{-R})(e^{pR} - 1)}$$

and

$$\left| \int_{\overline{DA}} F(z) dz \right| = \left| i \int_{-\pi}^{\pi} F(-R + it) dt \right| \leq \frac{\pi}{(\lambda e^R - 1)(1 - e^{-pR})}$$

we derive

$$\lim_{R \rightarrow \infty} \int_{\overline{BC}} F(z) dz = \lim_{R \rightarrow \infty} \int_{\overline{DA}} F(z) dz = 0.$$

Further, we have

$$\begin{aligned} \int_{\overline{AB}} F(z) dz + \int_{\overline{CD}} F(z) dz &= \int_{-R}^R F(x - \pi i) dx - \int_{-R}^R F(x + \pi i) dx \\ &= \int_{-R}^R \frac{1}{1 + \lambda e^{-x}} \left(\frac{1}{1 + e^{px - ip\pi}} - \frac{1}{1 + e^{px + ip\pi}} \right) dx \\ &= 2i \sin(p\pi) \int_{-R}^R \frac{1}{1 + \lambda e^{-x}} \frac{e^{px}}{1 + 2 \cos(p\pi) e^{px} + e^{2px}} dx. \end{aligned}$$

Consequently, letting R tend to ∞ in (5.6) and rearranging lead to

$$\int_{-\infty}^{\infty} \frac{1}{1 + \lambda e^{-x}} \frac{e^{px}}{1 + 2 \cos(p\pi) e^{px} + e^{2px}} dx = \frac{\pi}{\sin(p\pi)} \frac{1}{1 + \lambda^p}.$$

The change of variables $e^x = t$ yields

$$\int_0^{\infty} \frac{t^p}{1 + 2 \cos(p\pi)t^p + t^{2p}} \frac{dt}{t + \lambda} = \frac{\pi}{\sin(p\pi)} \frac{1}{1 + \lambda^p}.$$

Taking the n th derivative with respect to λ arrives at

$$\int_0^{\infty} \frac{t^p}{1 + 2 \cos(p\pi)t^p + t^{2p}} \frac{dt}{(t + \lambda)^{n+1}} = \frac{\pi}{\sin(p\pi)} \frac{(-1)^n}{n!} \frac{d^n}{d\lambda^n} \left(\frac{1}{1 + \lambda^p} \right).$$

Combining this with (5.5) reveals

$$\int_0^{\infty} \frac{t^p}{1 + 2 \cos(p\pi)t^p + t^{2p}} \frac{dt}{(t + \lambda)^{n+1}} = \frac{\pi}{\sin(p\pi)} \frac{(-1)^n}{n! \lambda^{n+p}} \sum_{k=1}^n \left(\frac{\lambda^p}{1 + \lambda^p} \right)^{k+1} \sum_{\ell=0}^k (-1)^\ell \binom{k}{\ell} \langle p\ell \rangle_n.$$

Now the change of variables $t = a^{-1/p}u$ with $a > 0$ yields

$$\int_0^{\infty} \frac{u^p}{a^2 + 2a \cos(p\pi)u^p + u^{2p}} \frac{a^{1+n/p} du}{(u + a^{1/p}\lambda)^{n+1}} = \frac{\pi}{\sin(p\pi)} \frac{(-1)^n}{n! \lambda^{n+p}} \sum_{k=1}^n \left(\frac{\lambda^p}{1 + \lambda^p} \right)^{k+1} \sum_{\ell=0}^k (-1)^\ell \binom{k}{\ell} \langle p\ell \rangle_n.$$

Finally, applying this to $\lambda = a^{-1/p}b$ for $b > 0$ results in

$$\int_0^{\infty} \frac{u^p}{a^2 + 2a \cos(p\pi)u^p + u^{2p}} \frac{du}{(u + b)^{n+1}} = \frac{\pi}{\sin(p\pi)} \frac{(-1)^n}{n! b^n} \sum_{k=1}^n \frac{b^{pk}}{(a + b^p)^{k+1}} \sum_{\ell=0}^k (-1)^\ell \binom{k}{\ell} \langle p\ell \rangle_n$$

or, equivalently,

$$\int_0^\infty \frac{u^p}{a^2 + 2a \cos(p\pi)u^p + u^{2p}} \frac{du}{(u + b)^{n+1}} = \frac{\pi}{(a + b^p) \sin(p\pi)} \frac{(-1)^n}{n! b^n} \sum_{k=1}^n \frac{1}{(1 + a/b^p)^k} \sum_{\ell=0}^k (-1)^\ell \binom{k}{\ell} \langle p\ell \rangle_n.$$

The required proof is complete. \square

Remark 5.1. By analytic continuation, we claim that the integral formula (5.1) is valid for

$$a \in \{z \in \mathbb{C} : |\arg(z)| < (1 - p)\pi\}$$

and $b \in \mathbb{C} \setminus (-\infty, 0]$. For example, if $0 < p < \frac{1}{2}$, $b = 1$, and $a = i$, then

$$\int_0^\infty \frac{u^p}{-1 + 2i \cos(p\pi)u^p + u^{2p}} \frac{du}{(u + 1)^{n+1}} = \frac{\pi}{\sin(p\pi)} \frac{(-1)^n}{n!} \sum_{k=0}^n \frac{1}{(1 + i)^{k+1}} \sum_{\ell=0}^k (-1)^\ell \binom{k}{\ell} \langle p\ell \rangle_n$$

which is equivalent to

$$\int_0^\infty \frac{u^p [u^{2p} - 1 - 2i \cos(p\pi)u^p]}{1 + 2 \cos(2p\pi)u^{2p} + u^{4p}} \frac{du}{(u + 1)^{n+1}} = \frac{\pi}{\sin(p\pi)} \frac{(-1)^n}{n!} \sum_{k=0}^n \frac{e^{-i\pi(k+1)/4}}{2^{(k+1)/2}} \sum_{\ell=0}^k (-1)^\ell \binom{k}{\ell} \langle p\ell \rangle_n.$$

Further comparing imaginary parts of this equality gives

$$\int_0^\infty \frac{u^{2p}}{1 + 2 \cos(2p\pi)u^{2p} + u^{4p}} \frac{du}{(u + 1)^{n+1}} = \frac{\pi}{\sin(2p\pi)} \frac{(-1)^n}{n!} \sum_{k=0}^n \frac{\sin(\pi(k + 1)/4)}{2^{(k+1)/2}} \sum_{\ell=0}^k (-1)^\ell \binom{k}{\ell} \langle p\ell \rangle_n.$$

On the other hand, setting $a = b = 1$ and replacing p by $2p$ in (5.1) result in

$$\int_0^\infty \frac{u^{2p}}{1 + 2 \cos(2p\pi)u^p + u^{2p}} \frac{du}{(u + 1)^{n+1}} = \frac{\pi}{\sin(2p\pi)} \frac{(-1)^n}{n!} \sum_{k=0}^n \frac{1}{2^{k+1}} \sum_{\ell=0}^k (-1)^\ell \binom{k}{\ell} \langle 2p\ell \rangle_n.$$

Accordingly, for $0 < p < \frac{1}{2}$, we obtain

$$\sum_{k=0}^n \frac{1}{2^{k+1}} \sum_{\ell=0}^k (-1)^\ell \binom{k}{\ell} \langle 2p\ell \rangle_n = \sum_{k=0}^n \frac{\sin(\pi(k + 1)/4)}{2^{(k+1)/2}} \sum_{\ell=0}^k (-1)^\ell \binom{k}{\ell} \langle p\ell \rangle_n.$$

Since both sides of this equality are polynomials in the variable p , we acquire

$$\sum_{k=0}^n \frac{1}{2^{k+1}} \sum_{\ell=0}^k (-1)^\ell \binom{k}{\ell} \langle 2\ell z \rangle_n = \sum_{k=0}^n \frac{\sin(\pi(k + 1)/4)}{2^{(k+1)/2}} \sum_{\ell=0}^k (-1)^\ell \binom{k}{\ell} \langle \ell z \rangle_n$$

for all $z \in \mathbb{C}$.

Remark 5.2. From the proof of Theorem 2.1, we conclude that

$$\frac{d^n G_{a,b;p}(x)}{dx^n} = \frac{(-1)^n}{(b - x)^n} \sum_{k=0}^n \frac{(b - x)^{kp}}{[a + (b - x)^p]^{k+1}} \sum_{\ell=0}^k (-1)^\ell \binom{k}{\ell} \langle p\ell \rangle_n.$$

Combining this with the integral representation (3.1) in Theorem 3.1 derives the integral formula

$$\int_0^\infty \frac{t^p}{a^2 + 2a \cos(p\pi)t^p + t^{2p}} \frac{1}{(b+t-x)^{n+1}} dt = \frac{\pi}{[a + (b-x)^p] \sin(p\pi)} \frac{(-1)^n}{n!(b-x)^n} \sum_{k=0}^n \frac{1}{[1 + a/(b-x)^p]^k} \sum_{\ell=0}^k (-1)^\ell \binom{k}{\ell} \langle p\ell \rangle_n.$$

This is essentially same as the integral formula (5.1).

Remark 5.3. Letting $a = 0$ and computing integrals in (5.1) and (5.2) leads to

$$\int_0^\infty \frac{1}{t^p} \frac{1}{(b+t)^{n+1}} dt = \frac{\Gamma(1-p)\Gamma(n+p)}{n!b^{n+p}} = \frac{\pi}{b^p \sin(p\pi)} \frac{(-1)^n}{n!b^n} \sum_{k=0}^n \sum_{\ell=0}^k (-1)^\ell \binom{k}{\ell} \langle p\ell \rangle_n$$

and

$$\int_0^\infty \frac{1}{\sqrt{t} (b+t)^{n+1}} dt = \frac{\sqrt{\pi} \Gamma(n + \frac{1}{2})}{n!b^{n+1/2}} = \frac{\pi}{(2n)!!b^{n+1/2}} \sum_{k=0}^n k! [2(n-k) - 1]!! \binom{2n-k-1}{2(n-k)}.$$

As a result, we obtain two interesting formulas

$$\Gamma(1-p)\Gamma(n+p) = (-1)^n \frac{\pi}{\sin(p\pi)} \sum_{k=0}^n \sum_{\ell=0}^k (-1)^\ell \binom{k}{\ell} \langle p\ell \rangle_n \tag{5.7}$$

and

$$\Gamma\left(n + \frac{1}{2}\right) = \frac{\sqrt{\pi}}{2^n} \sum_{k=0}^n k! [2(n-k) - 1]!! \binom{2n-k-1}{2(n-k)} \tag{5.8}$$

for $0 < p < 1$ and $n \geq 0$.

The equality (5.7) is rewritten and extended in [17, Theorem 3.2] as

$$\sum_{k=0}^n \sum_{\ell=0}^k (-1)^\ell \binom{k}{\ell} \langle \alpha\ell \rangle_n = \langle -\alpha \rangle_n$$

for $n \geq 0$ and $\alpha \in \mathbb{C}$, where the falling factorial $\langle -\alpha \rangle_n$ is defined by (2.2).

By the recurrence relation

$$\Gamma(z+1) = z\Gamma(z) \tag{5.9}$$

and Euler’s reflection formula $\Gamma(z)\Gamma(1-z) = \frac{\pi}{\sin(z\pi)}$ for $z \neq 0, \pm 1, \dots$ (see [32, Chapter 5]), we can rewrite the identity (5.7) as

$$\begin{aligned} (p)_n &= (-1)^n \sum_{k=0}^n \sum_{\ell=0}^k (-1)^\ell \binom{k}{\ell} \langle p\ell \rangle_n = (-1)^n \sum_{\ell=0}^n (-1)^\ell \langle p\ell \rangle_n \sum_{k=\ell}^n \binom{k}{\ell} \\ &= (-1)^n \sum_{\ell=0}^n (-1)^\ell \langle p\ell \rangle_n \sum_{k=\ell}^n \left[\binom{k+1}{\ell+1} - \binom{k}{\ell+1} \right] = (-1)^n \sum_{\ell=0}^n (-1)^\ell \binom{n+1}{\ell+1} \langle p\ell \rangle_n \end{aligned} \tag{5.10}$$

for $0 < p < 1$ and $n \geq 0$, where the notation

$$(\alpha)_n = \begin{cases} \alpha(\alpha+1) \cdots (\alpha+n-1), & n \geq 1 \\ 1, & n = 0 \end{cases}$$

for $\alpha \in \mathbb{C}$ is called the rising factorial, the Pochhammer symbol, or shifted factorial. Because all sides in (5.10) are polynomials in p for $0 < p < 1$, all equalities in (5.10) must be valid for all $p \in \mathbb{C}$ and $n \geq 0$. Thus, we obtain the identity

$$(z)_n = (-1)^n \sum_{\ell=0}^n (-1)^\ell \binom{n+1}{\ell+1} \langle \ell z \rangle_n, \quad z \in \mathbb{C}.$$

By the recurrence relation (5.9) and the formula $\Gamma(\frac{1}{2}) = \sqrt{\pi}$ (see [32, Chapter 5]), we can rewrite the identity (5.8) as

$$(2n-1)!! = \sum_{k=0}^n k! [2(n-k)-1]!! \binom{2n-k-1}{2(n-k)}, \quad n \geq 0. \tag{5.11}$$

The identity (5.11) is also derived in [17, Theorem 4.2] and in the proof of [57, Theorem 3.2].

By the way, we can rearrange [15, Theorem 2.1] as

$$\frac{1}{(2n-1)!!} = \frac{(-1)^{n+1}}{2^{3n-2}(n-1)!} \sum_{k=0}^{2n-1} \frac{(-1)^k}{2n-2k-1} \binom{2n-1}{k}, \quad n \geq 1.$$

Comparing this with (5.11) leads to the identity

$$\left[\sum_{k=0}^n k! [2(n-k)-1]!! \binom{2n-k-1}{2(n-k)} \right] \left[\sum_{k=0}^{2n-1} \frac{(-1)^k}{2n-2k-1} \binom{2n-1}{k} \right] = (-1)^{n+1} 2^{3n-2} (n-1)!, \quad n \geq 1.$$

6. An elementary computation of the integral in (5.2)

In this section, we will compute the integral in (5.2) elementarily.

Lemma 6.1. For real numbers a, b with $a \neq b$ and any positive integer n , we have

$$\frac{1}{(a+x)(b+x)^n} = \frac{1}{(b-a)^n(a+x)} - \sum_{\ell=1}^n \frac{1}{(b-a)^{n-\ell+1}(b+x)^\ell}. \tag{6.1}$$

Proof. The equality (6.1) can be proved straightforwardly by induction on n . However, we will demonstrate an alternative proof as follow.

The right hand side of the equality (6.1) can be restructured and computed as

$$\begin{aligned} \frac{1}{(b-a)^{n+1}} \left[\frac{b-a}{a+x} - \sum_{\ell=1}^n \left(\frac{b-a}{b+x} \right)^\ell \right] &= \frac{1}{(b-a)^{n+1}} \left[\frac{b-a}{a+x} - \frac{b-a}{a+x} \left(1 - \left(\frac{b-a}{b+x} \right)^n \right) \right] \\ &= \frac{1}{(b-a)^{n+1}} \left[\frac{b-a}{a+x} \left(\frac{b-a}{b+x} \right)^n \right] = \frac{1}{(a+x)(b+x)^n}. \end{aligned}$$

The proof of Lemma 6.1 is complete. \square

Lemma 6.2. For real number $b > 0$ and integer $\ell \geq 1$, we have

$$\int_0^\infty \frac{\sqrt{t}}{(b+t)^{\ell+1}} dt = \frac{\pi}{b^{\ell-1/2}} \frac{(2\ell-3)!!}{(2\ell)!!}. \tag{6.2}$$

For $a, b \geq 0$, we have

$$\int_0^\infty \sqrt{t} \left(\frac{1}{a+t} - \frac{1}{b+t} \right) dt = \pi(\sqrt{b} - \sqrt{a}). \tag{6.3}$$

Proof. It is straightforward that

$$\begin{aligned} \int_0^\infty \frac{\sqrt{t}}{(b+t)^{\ell+1}} dt &= \frac{1}{b^{\ell+1}} \int_0^\infty \frac{\sqrt{t}}{(1+t/b)^{\ell+1}} dt = \frac{1}{b^{\ell-1/2}} \int_0^\infty \frac{\sqrt{u}}{(1+u)^{\ell+1}} du = \frac{1}{b^{\ell-1/2}} B\left(\frac{3}{2}, \ell - \frac{1}{2}\right) \\ &= \frac{1}{b^{\ell-1/2}} \frac{\Gamma(\frac{3}{2})\Gamma(\ell - \frac{1}{2})}{\Gamma(\ell + 1)} = \frac{1}{b^{\ell-1/2}} \frac{\frac{1}{2}\Gamma(\frac{1}{2})(\ell - \frac{3}{2})(\ell - \frac{5}{2}) \cdots \frac{3}{2}\frac{1}{2}\Gamma(\frac{1}{2})}{\ell!} = \frac{\pi}{b^{\ell-1/2}} \frac{(2\ell - 3)!!}{(2\ell)!!}, \end{aligned}$$

where $B(z, w)$ denotes the classical beta function

$$B(z, w) = \int_0^1 t^{z-1}(1-t)^{w-1} dt = \int_0^\infty \frac{t^{z-1}}{(1+t)^{z+w}} dt$$

for $\Re(z) > 0$ and $\Re(w) > 0$ and satisfies

$$B(z, w) = \frac{\Gamma(z)\Gamma(w)}{\Gamma(z+w)} = B(w, z).$$

See [1, p. 258, 6.2.1 and 6.2.2].

When $a, b > 0$ and $a \neq b$, the first proof of the formula (6.3) is straightforward as follows:

$$\begin{aligned} \int_0^\infty \sqrt{t} \left(\frac{1}{a+t} - \frac{1}{b+t} \right) dt &= 2 \int_0^\infty s^2 \left(\frac{1}{a+s^2} - \frac{1}{b+s^2} \right) ds \\ &= 2(b-a) \int_0^\infty \frac{s^2}{(a+s^2)(b+s^2)} ds \\ &= 2(b-a) \int_0^\infty \frac{d}{ds} \left[\frac{\sqrt{a} \arctan \frac{s}{\sqrt{a}} - \sqrt{b} \arctan \frac{s}{\sqrt{b}}}{a-b} \right] ds \\ &= 2(b-a) \frac{\sqrt{a} \arctan \frac{s}{\sqrt{a}} - \sqrt{b} \arctan \frac{s}{\sqrt{b}}}{a-b} \Bigg|_{s=0}^{s=\infty} \\ &= \pi(\sqrt{b} - \sqrt{a}). \end{aligned}$$

When $a, b > 0$ and $a \neq b$, we can alternatively prove the formula (6.3) as follows:

$$\begin{aligned} \int_0^\infty \sqrt{t} \left(\frac{1}{a+t} - \frac{1}{b+t} \right) dt &= \int_0^\infty \left[\frac{b}{(b+t)\sqrt{t}} - \frac{a}{(a+t)\sqrt{t}} \right] dt \\ &= 2\sqrt{b} \arctan \sqrt{\frac{t}{b}} \Bigg|_{t=0}^{t=\infty} - 2\sqrt{a} \arctan \sqrt{\frac{t}{a}} \Bigg|_{t=0}^{t=\infty} = \pi(\sqrt{b} - \sqrt{a}). \end{aligned}$$

The proof of Lemma 6.2 is complete. \square

Theorem 6.1. *If $n \geq 0$ is an integer and $a \geq 0, b > 0$, and $a \neq b$ are real numbers, then*

$$\int_0^\infty \frac{\sqrt{t}}{a+t} \frac{1}{(b+t)^{n+1}} dt = -\frac{\pi}{(b-a)^{n+1}} \left[\sqrt{a} + \sqrt{b} \sum_{\ell=0}^n \left(1 - \frac{a}{b}\right)^\ell \frac{(2\ell - 3)!!}{(2\ell)!!} \right]. \tag{6.4}$$

Proof. [First proof of Theorem 6.1] From Lemma 6.1, it follows that

$$\frac{1}{(a+t)(b+t)^{n+1}} = \frac{1}{(b-a)^{n+1}} \left(\frac{1}{a+t} - \frac{1}{b+t} \right) - \sum_{\ell=2}^{n+1} \frac{1}{(b-a)^{n-\ell+2}(b+t)^\ell}.$$

Further integrating on both sides with respect to t and applying the formulas (6.2) and (6.3) in Lemma 6.2 arrive at

$$\begin{aligned} \int_0^\infty \frac{\sqrt{t}}{a+t} \frac{1}{(b+t)^{n+1}} dt &= \frac{1}{(b-a)^{n+1}} \int_0^\infty \sqrt{t} \left(\frac{1}{a+t} - \frac{1}{b+t} \right) dt - \int_0^\infty \sum_{\ell=2}^{n+1} \frac{\sqrt{t}}{(b-a)^{n-\ell+2} (b+t)^\ell} dt \\ &= \frac{\pi(\sqrt{b}-\sqrt{a})}{(b-a)^{n+1}} - \sum_{\ell=1}^n \frac{1}{(b-a)^{n-\ell+1}} \int_0^\infty \frac{\sqrt{t}}{(b+t)^{\ell+1}} dt \\ &= \frac{\pi(\sqrt{b}-\sqrt{a})}{(b-a)^{n+1}} - \sum_{\ell=1}^n \frac{1}{(b-a)^{n-\ell+1}} \frac{\pi}{b^{\ell-1/2}} \frac{(2\ell-3)!!}{(2\ell)!!} \\ &= \frac{\pi(\sqrt{b}-\sqrt{a})}{(b-a)^{n+1}} - \frac{\pi\sqrt{b}}{(b-a)^{n+1}} \sum_{\ell=1}^n \left(1-\frac{a}{b}\right)^\ell \frac{(2\ell-3)!!}{(2\ell)!!} \\ &= -\frac{\pi}{(b-a)^{n+1}} \left[\sqrt{a} + \sqrt{b} \sum_{\ell=0}^n \left(1-\frac{a}{b}\right)^\ell \frac{(2\ell-3)!!}{(2\ell)!!} \right]. \end{aligned}$$

The proof of Theorem 6.1 is complete. \square

Proof. [Second proof of Theorem 6.1] The formula (6.3) can be rewritten as

$$\int_0^\infty \frac{\sqrt{t}}{(a+t)(b+t)} dt = \pi \left(\frac{\sqrt{b}}{b-a} - \frac{\sqrt{a}}{b-a} \right).$$

Differentiating n times with respect to b on both sides of the above equality and making use of Leibnitz’s rule for differentiation yield

$$\begin{aligned} \int_0^\infty \frac{(-1)^n n! \sqrt{t}}{(a+t)(b+t)^{n+1}} dt &= \pi \left[\frac{d^n}{db^n} \left(\frac{\sqrt{b}}{b-a} \right) - \frac{d^n}{db^n} \left(\frac{\sqrt{a}}{b-a} \right) \right] \\ &= \pi \left[\sum_{\ell=0}^n \binom{n}{\ell} \frac{d^\ell}{db^\ell} (\sqrt{b}) \frac{d^{n-\ell}}{db^{n-\ell}} \left(\frac{1}{b-a} \right) - \frac{\sqrt{a} (-1)^n n!}{(b-a)^{n+1}} \right] \\ &= \pi \left[\sum_{\ell=0}^n \binom{n}{\ell} \left\langle \frac{1}{2} \right\rangle_\ell b^{1/2-\ell} \frac{(-1)^{n-\ell} (n-\ell)!}{(b-a)^{n-\ell+1}} - \frac{\sqrt{a} (-1)^n n!}{(b-a)^{n+1}} \right] \\ &= -\pi \frac{(-1)^n n!}{(b-a)^{n+1}} \left[\sqrt{a} - \frac{(b-a)^{n+1}}{(-1)^n n!} \sum_{\ell=0}^n \binom{n}{\ell} \left\langle \frac{1}{2} \right\rangle_\ell b^{1/2-\ell} \frac{(-1)^{n-\ell} (n-\ell)!}{(b-a)^{n-\ell+1}} \right] \\ &= -\pi \frac{(-1)^n n!}{(b-a)^{n+1}} \left[\sqrt{a} - \sqrt{b} \sum_{\ell=0}^n \frac{(-1)^\ell}{\ell!} \left\langle \frac{1}{2} \right\rangle_\ell \left(1-\frac{a}{b}\right)^\ell \right] \\ &= -\pi \frac{(-1)^n n!}{(b-a)^{n+1}} \left[\sqrt{a} - \sqrt{b} \sum_{\ell=0}^n \frac{(-1)^\ell}{\ell!} \frac{1}{2} \left(-\frac{1}{2}\right) \cdots \left(\frac{1}{2} - \ell + 1\right) \left(1-\frac{a}{b}\right)^\ell \right] \\ &= -\pi \frac{(-1)^n n!}{(b-a)^{n+1}} \left[\sqrt{a} + \sqrt{b} \sum_{\ell=0}^n \frac{(2\ell-3)!!}{(2\ell)!!} \left(1-\frac{a}{b}\right)^\ell \right]. \end{aligned}$$

The integral formula (6.4) is thus proved. \square

Remark 6.1. The formula (6.3) can also be rearranged as

$$\int_0^\infty \frac{\sqrt{t}}{(a+t)(b+t)} dt = \frac{\pi}{\sqrt{a} + \sqrt{b}}.$$

Differentiating n times with respect to b on both sides of the above equality, utilizing Faà di Bruno’s formula (2.3), making use of the identity (2.4), and employing the formula (2.7) reveal

$$\begin{aligned} \int_0^\infty \frac{(-1)^n n! \sqrt{t}}{(a+t)(b+t)^{n+1}} dt &= \frac{d^n}{db^n} \left(\frac{\pi}{\sqrt{a} + \sqrt{b}} \right) \\ &= \sum_{k=0}^n \frac{d^k}{dx^k} \left(\frac{\pi}{\sqrt{a} + x} \right) \Big|_{x=\sqrt{b}} \mathbf{B}_{n,k} \left((\sqrt{b})', (\sqrt{b})'', \dots, (\sqrt{b})^{n-k+1} \right) \\ &= \pi \sum_{k=0}^n \frac{(-1)^k k!}{(\sqrt{a} + x)^{k+1}} \Big|_{x=\sqrt{b}} \mathbf{B}_{n,k} \left(b^{1/2-1} \left\langle \frac{1}{2} \right\rangle_1, b^{1/2-2} \left\langle \frac{1}{2} \right\rangle_2, \dots, b^{1/2-(n-k+1)} \left\langle \frac{1}{2} \right\rangle_{n-k+1} \right) \\ &= \pi \sum_{k=0}^n \frac{(-1)^k k!}{(\sqrt{a} + \sqrt{b})^{k+1}} b^{k/2-n} \mathbf{B}_{n,k} \left(\left\langle \frac{1}{2} \right\rangle_1, \left\langle \frac{1}{2} \right\rangle_2, \dots, \left\langle \frac{1}{2} \right\rangle_{n-k+1} \right) \\ &= \pi \sum_{k=0}^n \frac{(-1)^k k!}{(\sqrt{a} + \sqrt{b})^{k+1}} b^{k/2-n} (-1)^{n+k} [2(n-k) - 1]!! \left(\frac{1}{2} \right)^n \binom{2n-k-1}{2(n-k)} \end{aligned}$$

which recovers the integral formula (5.2), where $a \geq 0$ and $b > 0$.

Remark 6.2. For $a \geq 0$ and $b > 0$, combining (5.2) and (6.4) results in an identity

$$\sum_{k=0}^n \binom{2n-k-1}{2(n-k)} \frac{k! [2(n-k) - 1]!!}{(1 + \sqrt{a/b})^{k+1}} = -\frac{(2n)!!}{(1 - a/b)^{n+1}} \left[\sqrt{\frac{a}{b}} + \sum_{\ell=0}^n \left(1 - \frac{a}{b} \right)^\ell \frac{(2\ell - 3)!!}{(2\ell)!!} \right]$$

which can be further simplified as

$$\sum_{k=0}^n \binom{2n-k-1}{2(n-k)} \frac{k! [2(n-k) - 1]!!}{(1+x)^{k+1}} = -\frac{(2n)!!}{(1-x^2)^{n+1}} \left[x + \sum_{\ell=0}^n \frac{(2\ell - 3)!!}{(2\ell)!!} (1-x^2)^\ell \right] \tag{6.5}$$

for $x \geq 0$.

More extensively, the identity (6.5) is valid for all $x \in \mathbb{C} \setminus \{-1, 1\}$, because both sides of (6.5) are analytic on the set $\mathbb{C} \setminus \{-1, 1\}$.

Remark 6.3. We note that all proofs in this section are elementary. In other words, Cauchy’s integral formula in complex analysis is not employed in all proofs of Lemma 6.1, Lemma 6.2, and Theorem 6.1.

7. More remarks

Finally, we list more remarks on main results of this paper.

Remark 7.1. Let $a \geq 0$, $b > 0$, and $0 < p < 1$. Then, motivated by (4.1), one can consider the function

$$\mathfrak{C}(a, b; p; x) = \frac{\sin(p\pi)}{\pi} \int_0^\infty \frac{t^p}{a^2 + 2a \cos(p\pi)t^p + t^{2p}} \frac{1}{(b+t)^{x+1}} dt$$

for $x \geq 0$. Can one compute this integral explicitly in terms of closed forms? For more details on so-called closed forms, please refer to [4] and closely related references therein.

Remark 7.2. We do not find integral formulas (5.1), (5.2), and (6.4) in monographs and handbooks [1, 12, 32, 66].

Remark 7.3. Integral representations of the Catalan numbers C_n for $n \geq 0$ have been reviewed and surveyed in [43, Section 2]. The first integral representation

$$C_n = \frac{1}{2\pi} \int_0^4 \sqrt{\frac{4-x}{x}} x^n dx, \quad n \geq 0 \tag{7.1}$$

was discovered in [34] and applied in [59]. An alternative integral representation

$$C_n = \frac{1}{\pi} \int_0^\infty \frac{\sqrt{t}}{(t+1/4)^{n+2}} dt \tag{7.2}$$

was derived in [53, Theorem 1.3]. The equivalence of integral representations (7.1) and (7.2) was proved in [36, Theorem 1.3]. The integral representation (7.2) can be recovered from (4.1) by setting $a = \frac{1}{2}$, $b = \frac{1}{4}$, and $p = \frac{1}{2}$.

Remark 7.4. For $\alpha \in \mathbb{R}$, we consider the sequence $Z_{n,k}(\alpha)$ generated by

$$\frac{[(1+T)^\alpha - 1]^k}{k!} = \sum_{n \geq k \geq 0} Z_{n,k}(\alpha) \frac{T^n}{n!}.$$

See [7, p. 158]. When $\alpha = \frac{1}{2}$, straightforward computation yields

$$\begin{aligned} \frac{[(1+T)^{1/2} - 1]^k}{k!} &= \frac{1}{k!} \sum_{\ell=0}^k (-1)^{k-\ell} \binom{k}{\ell} (1+T)^{\ell/2} \\ &= \frac{1}{k!} \sum_{\ell=0}^k (-1)^{k-\ell} \binom{k}{\ell} \sum_{n=0}^\infty \binom{\ell/2}{n} T^n = \sum_{n=0}^\infty \left[\frac{1}{k!} \sum_{\ell=0}^k (-1)^{k-\ell} \binom{k}{\ell} \left\langle \frac{\ell}{2} \right\rangle_n \right] \frac{T^n}{n!} \end{aligned}$$

which means that

$$Z_{n,k}\left(\frac{1}{2}\right) = \frac{(-1)^k}{k!} \sum_{\ell=0}^n (-1)^\ell \binom{k}{\ell} \left\langle \frac{\ell}{2} \right\rangle_n.$$

On the other hand, it is listed in [7, p. 158] that

$$Z_{n,k}\left(\frac{1}{2}\right) = (-1)^{n-k} \frac{(n-1)!}{(k-1)!} \binom{2n-k-2}{n-1} \frac{1}{2^{2n-k}}.$$

Accordingly, we obtain the equality

$$\frac{(-1)^k}{k!} \sum_{\ell=0}^n (-1)^\ell \binom{k}{\ell} \left\langle \frac{\ell}{2} \right\rangle_n = (-1)^{n-k} \frac{(n-1)!}{(k-1)!} \binom{2n-k-2}{n-1} \frac{1}{2^{2n-k}}$$

which can be rearranged as (2.6). Consequently, we recover the identity (2.6).

Remark 7.5. One of anonymous referees pointed out that, in the paper [33], there is a computation of the quantity $\langle p\ell \rangle_n$ appearing in (5.1) and other places in Section 5. Concretely speaking, combining the equations (1) and (7) in [33],

$$\langle xy \rangle_k = \sum_{\ell,m=1}^k \left[\sum_{p=1}^k s(k,p) S(p,\ell) S(p,m) \right] \langle x \rangle_\ell \langle y \rangle_m, \quad k \geq 1,$$

where $s(k, p)$ and $S(p, m)$ denote the Stirling numbers of the first and second kinds, which can be analytically generated by

$$\frac{[\ln(1+x)]^k}{k!} = \sum_{n=k}^\infty s(n,k) \frac{x^n}{n!} \quad \text{and} \quad \frac{(e^x - 1)^k}{k!} = \sum_{n=k}^\infty S(n,k) \frac{x^n}{n!}$$

respectively. See [17, p. 782] and [39, Section 2].

Remark 7.6. This paper is a revised version of the electronic preprints [25, 26] which have been cited in [9].

Acknowledgements

The authors thank anonymous referees for their careful reading of, valuable comments on, and helpful suggestions to the original version of this paper.

References

- [1] M. Abramowitz and I. A. Stegun (Eds), *Handbook of Mathematical Functions with Formulas, Graphs, and Mathematical Tables*, National Bureau of Standards, Applied Mathematics Series 55, 10th printing, Dover Publications, New York and Washington, 1972.
- [2] J.-C. Aval, *Multivariate Fuss–Catalan numbers*, *Discrete Math.* **308** (2008), no. 20, 4660–4669; available online at <https://doi.org/10.1016/j.disc.2007.08.100>.
- [3] C. Ballot, *Lucasnomial Fuss–Catalan numbers and related divisibility questions*, *J. Integer Seq.* **21** (2018), no. 6, Art. 18.6.5, 36 pages.
- [4] J. M. Borwein and R. E. Crandall, *Closed forms: what they are and why we care*, *Notices Amer. Math. Soc.* **60** (2013), no. 1, 50–65; available online at <https://doi.org/10.1090/noti936>.
- [5] J. Cao, W.-H. Li, D.-W. Niu, F. Qi, and J.-L. Zhao, *An analytic generalization of the Catalan numbers and its integral representation*, *Electron. Res. Arch.* (2023), accepted; available online at <https://doi.org/10.48550/arXiv.2005.13515>.
- [6] W.-C. Chu, *A new combinatorial interpretation for generalized Catalan number*, *Discrete Math.* **65** (1987), no. 1, 91–94; available online at [https://doi.org/10.1016/0012-365X\(87\)90214-7](https://doi.org/10.1016/0012-365X(87)90214-7).
- [7] L. Comtet, *Advanced Combinatorics: The Art of Finite and Infinite Expansions*, Revised and Enlarged Edition, D. Reidel Publishing Co., Dordrecht and Boston, 1974; available online at <https://doi.org/10.1007/978-94-010-2196-8>.
- [8] T. V. Didkivska and M. V. Stopochkina, *Properties of Fibonacci–Narayana numbers*, *World Math.* **9** (2003), no. 1, 29–36.
- [9] E. Diekema, *The Catalan–Qi number of the second kind and a related integral*, *arXiv* (2021), available online at <https://arxiv.org/abs/2112.04982v1>.
- [10] S. J. Dilworth and S. R. Mane, *Applications of Fuss–Catalan numbers to success runs of Bernoulli trials*, *J. Probab. Stat.* **2016**, Art. ID 2071582, 13 pages; available online at <https://doi.org/10.1155/2016/2071582>.
- [11] N. I. Fuss, *Solutio quaestionis, quot modis polygonum n laterum in polygona m laterum, per diagonales resolvi queat*, *Nova Acta Academiae Sci. Petropolitanae* **9** (1791), 243–251.
- [12] I. S. Gradshteyn and I. M. Ryzhik, *Table of Integrals, Series, and Products*, Translated from the Russian, Translation edited and with a preface by Daniel Zwillinger and Victor Moll, Eighth edition, Revised from the seventh edition, Elsevier/Academic Press, Amsterdam, 2015; available online at <https://doi.org/10.1016/B978-0-12-384933-5.00013-8>.
- [13] R. L. Graham, D. E. Knuth, and O. Patashnik, *Concrete Mathematics—A Foundation for Computer Science*, 2nd ed., Addison-Wesley Publishing Company, Reading, MA, 1994.
- [14] R. P. Grimaldi, *Fibonacci and Catalan Numbers*, John Wiley & Sons, Inc., Hoboken, NJ, 2012; available online at <https://doi.org/10.1002/9781118159743>.
- [15] B.-N. Guo and F. Qi, *On the Wallis formula*, *Internat. J. Anal. Appl.* **8** (2015), no. 1, 30–38.
- [16] P. Hilton and J. Pedersen, *Catalan numbers, their generalization, and their uses*, *Math. Intelligencer* **13** (1991), no. 2, 64–75; available online at <https://doi.org/10.1007/BF03024089>.
- [17] S. Jin, B.-N. Guo, and F. Qi, *Partial Bell polynomials, falling and rising factorials, Stirling numbers, and combinatorial identities*, *CMES Comput. Model. Eng. Sci.* **132** (2022), no. 3, 781–799; available online at <https://doi.org/10.32604/cmescs.2022.019941>.
- [18] C. Jordan, *Calculus of Finite Differences*, Hungarian Agent Eggenberger Book-Shop, Budapest, 1939.
- [19] C. Kızılateş, W.-S. Du, and F. Qi, *Several determinantal expressions of generalized Tribonacci polynomials and sequences*, *Tamkang J. Math.* **53** (2022), no. 3, 275–289; available online at <https://doi.org/10.5556/j.tkjm.53.2022.3743>.
- [20] D. A. Klarner, *Correspondences between plane trees and binary sequences*, *J. Combin. Theory* **9** (1970), no. 4, 401–411; available online at [https://doi.org/10.1016/S0021-9800\(70\)80093-X](https://doi.org/10.1016/S0021-9800(70)80093-X).
- [21] T. Koshy, *Catalan Numbers with Applications*, Oxford University Press, Oxford, 2009.
- [22] İ. Küçüköğlü, B. Şimşek, and Y. Şimşek, *New classes of Catalan-type numbers and polynomials with their applications related to p-adic integrals and computational algorithms*, *Turkish J. Math.* **44** (2020), no. 6, 2337–2355; available online at <https://doi.org/10.3906/mat-2008-24>.
- [23] P. Larcombe, *On the history of the Catalan numbers: a first record in China*, *Math. Today (Southend-on-Sea)* **35** (1999), no. 3, 89–89.
- [24] P. J. Larcombe, *The 18th century Chinese discovery of the Catalan numbers*, *Math. Spectrum* **32** (1999/2000) no. 1, 5–7.
- [25] W.-H. Li, F. Qi, O. Kouba, and I. Kaddoura, *A further generalization of the Catalan numbers and its explicit formula and integral representation*, *Authorea* (2021), available online at <https://doi.org/10.22541/au.159844115.58373405/v3>.
- [26] W.-H. Li, F. Qi, O. Kouba, and I. Kaddoura, *A further generalization of the Catalan numbers and its explicit formula and integral representation*, *OSF Preprints* (2020), available online at <https://doi.org/10.31219/osf.io/zf9xu>.
- [27] F.-F. Liu, X.-T. Shi, and F. Qi, *A logarithmically completely monotonic function involving the gamma function and originating from the Catalan numbers and function*, *Glob. J. Math. Anal.* **3** (2015), no. 4, 140–144; available online at <https://doi.org/10.14419/gjma.v3i4.5187>.
- [28] X. R. Ma, *The general solution of Ming Antu's problem*, *Acta Math. Sin. (Engl. Ser.)* **20** (2004), no. 1, 157–162; available online at <https://doi.org/10.1007/s10114-003-0282-2>.
- [29] M. McKiernan, *On the nth derivative of composite functions*, *Amer. Math. Monthly* **63** (1956), no. 5, 331–333; available online at <https://doi.org/10.2307/2310518>.
- [30] M. Mahmoud and F. Qi, *Three identities of the Catalan–Qi numbers*, *Mathematics* **4** (2016), no. 2, Article 35, 7 pages; available online at <https://doi.org/10.3390/math4020035>.
- [31] A. Nkwanta and A. Tefera, *Curious relations and identities involving the Catalan generating function and numbers*, *J. Integer Seq.* **16** (2013), no. 9, Article 13.9.5, 15 pages.

- [32] F. W. J. Olver, D. W. Lozier, R. F. Boisvert, and C. W. Clark (eds.), *NIST Handbook of Mathematical Functions*, Cambridge University Press, New York, 2010; available online at <http://dlmf.nist.gov/>.
- [33] B. Osgood and W. Wu, *Falling factorials, generating functions, and conjoint ranking tables*, J. Integer Seq. **12** (2009), no. 7, Article 09.7.8, 13 pp.
- [34] K. A. Penson and J.-M. Sixdeniers, *Integral representations of Catalan and related numbers*, J. Integer Seq. **4** (2001), no. 2, Article 01.2.5.
- [35] F. Qi, *An improper integral, the beta function, the Wallis ratio, and the Catalan numbers*, Probl. Anal. Issues Anal. **7** (25) (2018), no. 1, 104–115; available online at <https://doi.org/10.15393/j3.art.2018.4370>.
- [36] F. Qi, *Asymptotic expansions, complete monotonicity, and inequalities of the Catalan numbers*, ResearchGate Preprint (2015), available online at <https://doi.org/10.13140/RG.2.1.4371.6321>.
- [37] F. Qi, *Inverse of a triangular matrix and several identities of Catalan numbers*, J. Hunan Inst. Sci. Technol. (Nat. Sci.) **33** (2020), no. 2, 1–11 and 22; available online at <https://doi.org/10.16740/j.cnki.cn43-1421/n.2020.02.001>. (Chinese)
- [38] F. Qi, *Parametric integrals, the Catalan numbers, and the beta function*, Elem. Math. **72** (2017), no. 3, 103–110; available online at <https://doi.org/10.4171/EM/332>.
- [39] F. Qi, *Taylor's series expansions for real powers of two functions containing squares of inverse cosine function, closed-form formula for specific partial Bell polynomials, and series representations for real powers of Pi*, Demonstr. Math. **55** (2022), no. 1, 710–736; available online at <https://doi.org/10.1515/dema-2022-0157>.
- [40] F. Qi, A. Akkurt, and H. Yildirim, *Catalan numbers, k-gamma and k-beta functions, and parametric integrals*, J. Comput. Anal. Appl. **25** (2018), no. 6, 1036–1042.
- [41] F. Qi and P. Cerone, *Some properties of the Fuss–Catalan numbers*, Mathematics **6** (2018), no. 12, Article 277, 12 pages; available online at <https://doi.org/10.3390/math6120277>.
- [42] F. Qi and B.-N. Guo, *From inequalities involving exponential functions and sums to logarithmically complete monotonicity of ratios of gamma functions*, J. Math. Anal. Appl. **493** (2021), no. 1, Art. 124478, 19 pages; available online at <https://doi.org/10.1016/j.jmaa.2020.124478>.
- [43] F. Qi and B.-N. Guo, *Integral representations of the Catalan numbers and their applications*, Mathematics **5** (2017), no. 3, Article 40, 31 pages; available online at <https://doi.org/10.3390/math5030040>.
- [44] F. Qi and B.-N. Guo, *Logarithmically complete monotonicity of a function related to the Catalan–Qi function*, Acta Univ. Sapientiae Math. **8** (2016), no. 1, 93–102; available online at <https://doi.org/10.1515/ausm-2016-0006>.
- [45] F. Qi and B.-N. Guo, *Logarithmically complete monotonicity of Catalan–Qi function related to Catalan numbers*, Cogent Math. **3** (2016), Paper No. 1179379, 6 pages; available online at <https://doi.org/10.1080/23311835.2016.1179379>.
- [46] F. Qi and B.-N. Guo, *Several explicit and recursive formulas for generalized Motzkin numbers*, AIMS Math. **5** (2020), no. 2, 1333–1345; available online at <https://doi.org/10.3934/math.2020091>.
- [47] F. Qi and B.-N. Guo, *Some properties and generalizations of the Catalan, Fuss, and Fuss–Catalan numbers*, Chapter 5 in *Mathematical Analysis and Applications: Selected Topics*, pp. 101–133; Edited by Michael Ruzhansky, Hemen Dutta, and Ravi P. Agarwal; Published by John Wiley & Sons, Inc. 2018; available online at <https://doi.org/10.1002/9781119414421.ch5>.
- [48] F. Qi and B.-N. Guo, *Sums of infinite power series whose coefficients involve products of the Catalan–Qi numbers*, Montes Taurus J. Pure Appl. Math. **1** (2019), no. 2, Art. ID MTJPAM-D-19-00007, 1–12.
- [49] F. Qi, M. Mahmoud, X.-T. Shi, and F.-F. Liu, *Some properties of the Catalan–Qi function related to the Catalan numbers*, SpringerPlus **5** (2016), Paper No. 1126, 20 pages; available online at <https://doi.org/10.1186/s40064-016-2793-1>.
- [50] F. Qi, D.-W. Niu, D. Lim, and B.-N. Guo, *Closed formulas and identities for the Bell polynomials and falling factorials*, Contrib. Discrete Math. **15** (2020), no. 1, 163–174; available online at <https://doi.org/10.11575/cdm.v15i1.68111>.
- [51] F. Qi, D.-W. Niu, D. Lim, and Y.-H. Yao, *Special values of the Bell polynomials of the second kind for some sequences and functions*, J. Math. Anal. Appl. **491** (2020), no. 2, Art. 124382, 31 pages; available online at <https://doi.org/10.1016/j.jmaa.2020.124382>.
- [52] F. Qi, X.-T. Shi, and P. Cerone, *A unified generalization of the Catalan, Fuss, and Fuss–Catalan numbers*, Math. Comput. Appl. **24** (2019), no. 2, Art. 49, 16 pages; available online at <https://doi.org/10.3390/mca24020049>.
- [53] F. Qi, X.-T. Shi, and F.-F. Liu, *An integral representation, complete monotonicity, and inequalities of the Catalan numbers*, Filomat **32** (2018), no. 2, 575–587; available online at <https://doi.org/10.2298/FIL1802575Q>.
- [54] F. Qi, X.-T. Shi, F.-F. Liu, and D. V. Kruchinin, *Several formulas for special values of the Bell polynomials of the second kind and applications*, J. Appl. Anal. Comput. **7** (2017), no. 3, 857–871; available online at <https://doi.org/10.11948/2017054>.
- [55] F. Qi, X.-T. Shi, M. Mahmoud, and F.-F. Liu, *Schur-convexity of the Catalan–Qi function related to the Catalan numbers*, Tbilisi Math. J. **9** (2016), no. 2, 141–150; available online at <https://doi.org/10.1515/tmj-2016-0026>.
- [56] F. Qi, X.-T. Shi, M. Mahmoud, and F.-F. Liu, *The Catalan numbers: a generalization, an exponential representation, and some properties*, J. Comput. Anal. Appl. **23** (2017), no. 5, 937–944.
- [57] F. Qi and M. D. Ward, *Closed-form formulas and properties of coefficients in Maclaurin's series expansion of Wilf's function composed by inverse tangent, square root, and exponential functions*, arXiv (2022), available online at <https://arxiv.org/abs/2110.08576v2>.
- [58] F. Qi and Y.-H. Yao, *Simplifying coefficients in differential equations for generating function of Catalan numbers*, J. Taibah Univ. Sci. **13** (2019), no. 1, 947–950; available online at <https://doi.org/10.1080/16583655.2019.1663782>.
- [59] F. Qi, Q. Zou, and B.-N. Guo, *The inverse of a triangular matrix and several identities of the Catalan numbers*, Appl. Anal. Discrete Math. **13** (2019), no. 2, 518–541; available online at <https://doi.org/10.2298/AADM190118018Q>.
- [60] S. Roman, *An Introduction to Catalan Numbers*, with a foreword by Richard Stanley, Compact Textbook in Mathematics, Birkhäuser/Springer, Cham, 2015; available online at <https://doi.org/10.1007/978-3-319-22144-1>.
- [61] X.-T. Shi, F.-F. Liu, and F. Qi, *An integral representation of the Catalan numbers*, Glob. J. Math. Anal. **3** (2015), no. 3, 130–133; available online at <https://doi.org/10.14419/gjma.v3i3.5055>.
- [62] M. K. Soni, A. Soni, and D. Bansal, *Some geometric properties of analytic series whose coefficients are reciprocal of Fuss–Catalan numbers*, Electron. J. Math. Anal. Appl. **6** (2018), no. 2, 246–254.
- [63] M. Z. Spivey, *The Art of Proving Binomial Identities*, Discrete Mathematics and Its Applications, CRC Press, Boca Raton, FL, 2019;

- available online at <https://doi.org/10.1201/9781351215824>.
- [64] R. P. Stanley, *Catalan Numbers*, Cambridge University Press, New York, 2015; available online at <https://doi.org/10.1017/CB09781139871495>.
- [65] N. M. Temme, *Special Functions: An Introduction to Classical Functions of Mathematical Physics*, A Wiley-Interscience Publication, John Wiley & Sons, Inc., New York, 1996; available online at <https://doi.org/10.1002/9781118032572>.
- [66] C. I. Vălean, *(Almost) Impossible Integrals, Sums, and Series*, with a foreword by Paul J. Nahin, Problem Books in Mathematics, Springer, Cham, 2019; available online at <https://doi.org/10.1007/978-3-030-02462-8>.
- [67] L. Yin and F. Qi, *Several series identities involving the Catalan numbers*, Trans. A. Razmadze Math. Inst. **172** (2018), no. 3, 466–474; available online at <https://doi.org/10.1016/j.trmi.2018.07.001>.
- [68] J.-L. Zhao and F. Qi, *Two explicit formulas for the generalized Motzkin numbers*, J. Inequal. Appl. **2017**, 2017:44, 8 pages; available online at <https://doi.org/10.1186/s13660-017-1313-3>.